

## MBB 50 S



Mobile BUILD sospeso finitura cemento  
*BUILD wall hung cabinet cement finish*

codice  
code

**MBB S 50 OS**

Mobile BUILD sospeso finitura olmo bianco  
*BUILD wall hung cabinet white elm finish*

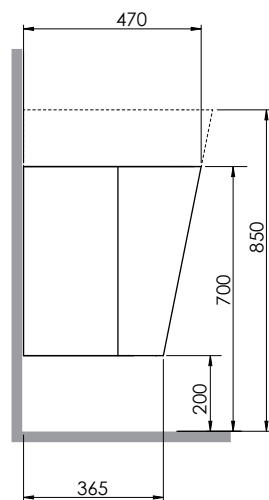
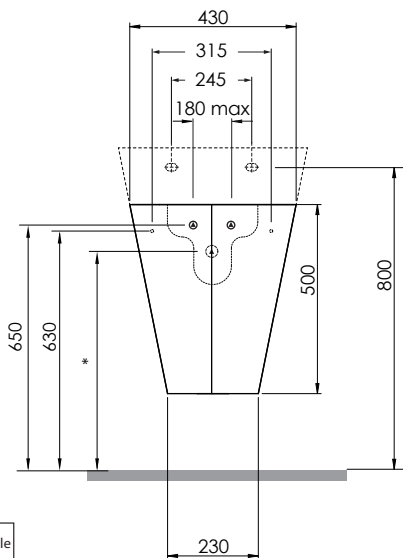
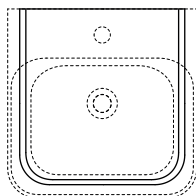
**MBB S 50 OB**

Mobile BUILD sospeso finitura olmo naturale  
*BUILD wall hung cabinet natural elm finish*

**MBB S 50 ON**

Cm43 X 47 XH50

kg 14,5



\* quote associate al sifone utilizzato

SFR	SF	Tradizionale
610 mm	550mm	580mm

scala/scale 1:20 dimensioni/dimensions in mm

### Gamma di colori disponibile per MOBILE

Color range available for FURNITURE



Olmo finitura bianco  
White elm finish



Olmo finitura naturale  
Natural elm finish



finitura cemento  
Concrete finish

TECHNICAL SHEET n°: <b>01</b>	DESIGNER: <b>OFFICINA AZZURRA</b>	CODE: <b>MBB 50 S</b>	Azzurra sanitari in ceramica S.p.a. via Civita Castellana snc 01030 Castel S.Elia (VT) - ITALY Tel.+39.0761 518155 Fax.+39.0761 514560		
SHEET FORMAT: <b>A4</b>	ISO	REVISION: <b>02</b>	SCALE: <b>1:20</b>	DATE: <b>14/04/2021</b>	
REGULATIONS All the measurements respect the tolerances provided by the "AZZURRA QUALITY GUIDELINES".					